

Snap Latches

Stainless Steel, with Gripping Tray, with and without Lock

SPECIFICATION

Types

- Type **OS**: Without lock
- Type **SC**: With lock

Latch / Catch

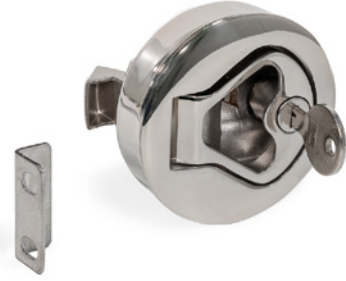
- Stainless steel AISI 304
- Housing collar / Mounting ring / Opening handle
- Polished **PL**
- Pan head screws

Lock

Stainless steel AISI 316

Key

Brass, nickel plated



INFORMATION

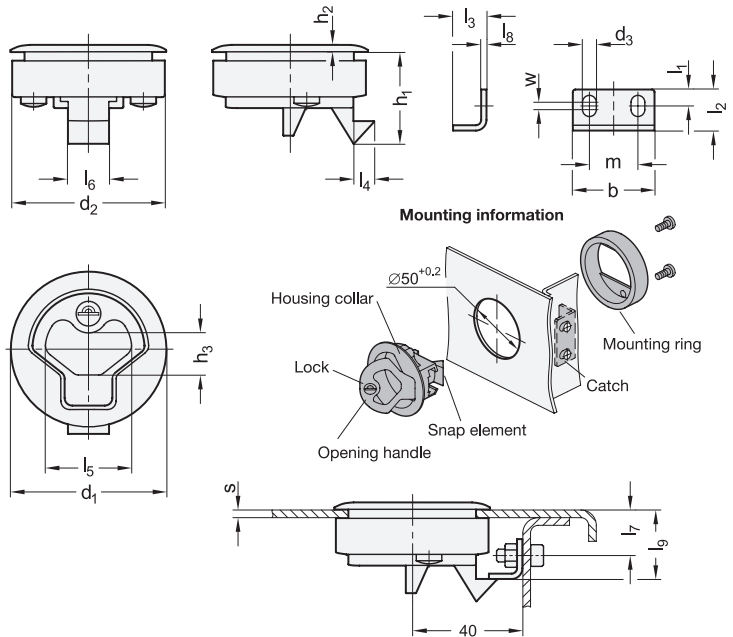
Snap latches GN 449.5 combine the function of a gripping tray with that of a snap latch to provide an easy way to keep doors, covers and hoods closed.

Once the mounting hole has been drilled, the housing is inserted into the hole in the door body when actuated and the mounting ring is pushed on from behind. The housing and mounting ring are connected with two supplied pan head screws.

The catch is mounted on the door profile or frame at a right angle to the snap element in accordance with the dimensions.

TECHNICAL INFORMATION

- Stainless Steel Characteristics (see page A26)



GN 449.5-OS

STAINLESS STEEL

Description	d1	Wall thickness Nominal size	Wall thickness s	b	d2	d3	h1	h2	h3	l1	l2	l3	l4 ≈	l5	l6	l7	l8	l9	m	w	Adjustable range
GN 449.5-61-OS-PL	61	A1	1..5	32	60	5.5	36	3	16.5	6.5	16	13	8	33.5	16	18	1.2	27.5	19.5	3	280

GN 449.5-SC

STAINLESS STEEL

Description	d1	Wall thickness Nominal size	Wall thickness s	b	d2	d3	h1	h2	h3	l1	l2	l3	l4 ≈	l5	l6	l7	l8	l9	m	w	Adjustable range
GN 449.5-61-SC-PL	61	A1	1..5	32	60	5.5	36	3	16.5	6.5	16	13	8	33.5	16	18	1.2	27.5	19.5	3	280